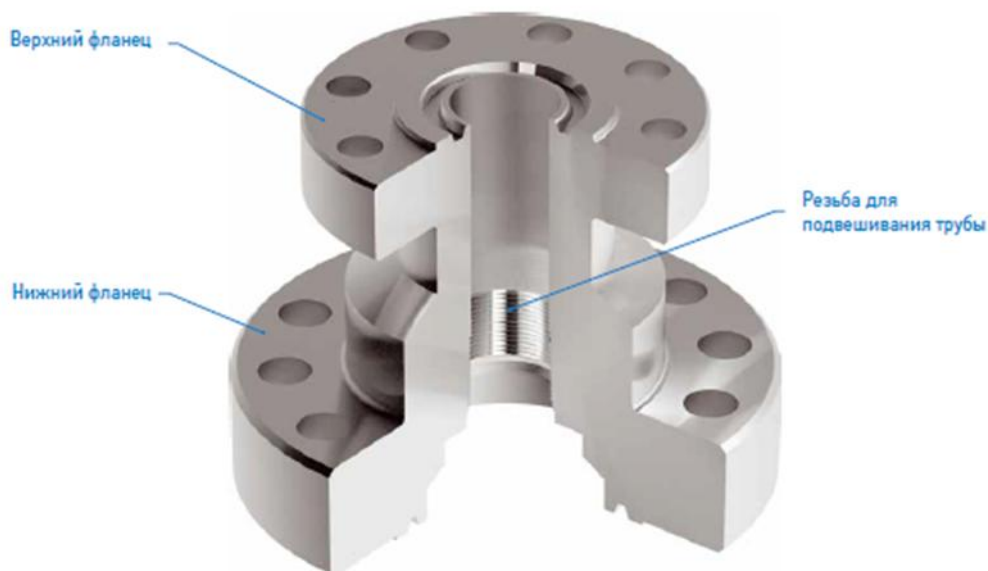
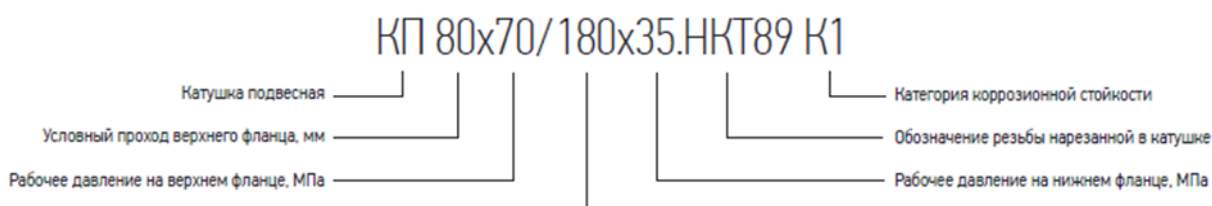


## Suspension-type spools



- Upper flange
- Thread for pipe suspension
- Lower flange

### \*Example of reference designation:



- КП – Suspension-type spool
- 80 – Upper flange port area, mm
- 70 – Operating pressure at the upper flange, MPa
- 35 - Operating pressure at the lower flange, MPa
- НКТ89 – Designation of the thread in the spool
- К1 – Corrosion resistance category