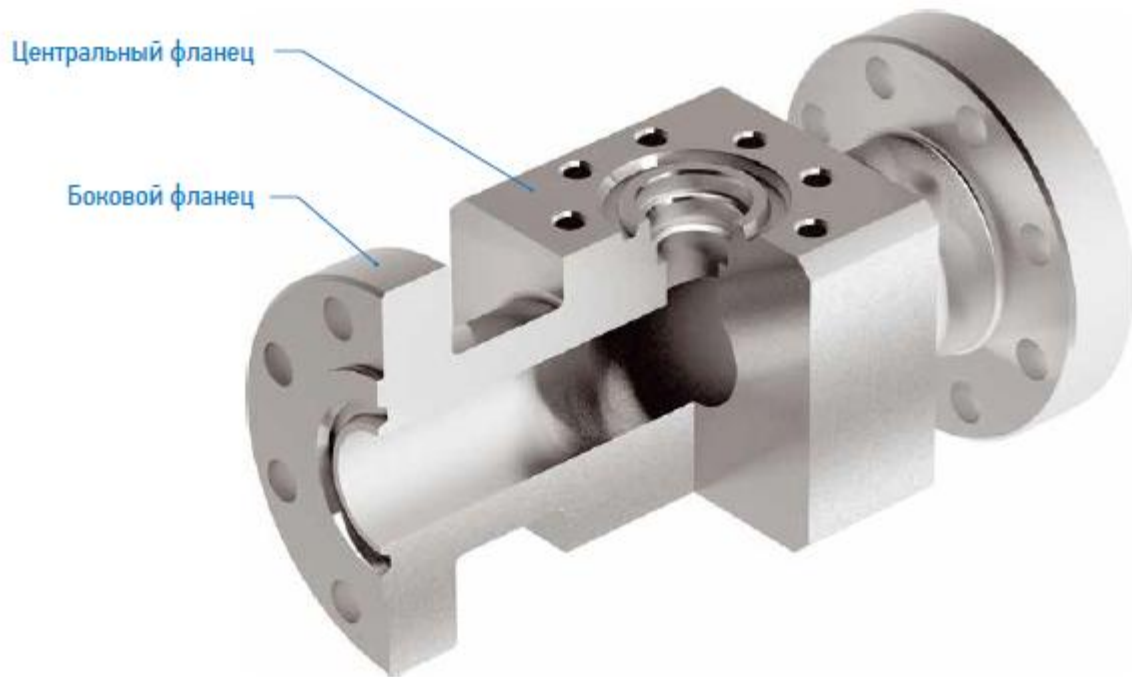
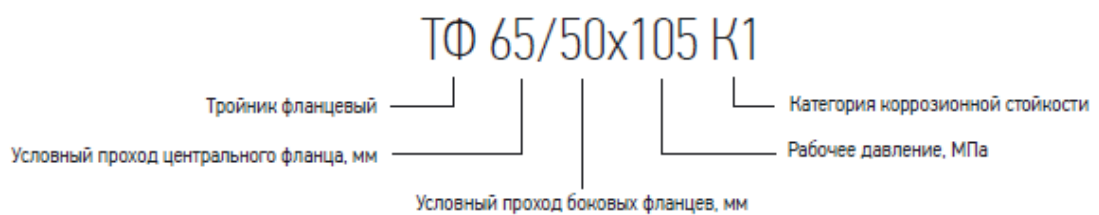


Flanged T-pieces



1. Central flange
2. Side flange

***Example of reference designation:**



- TΦ – Flanged T-piece
- 65 – Central flange port area, mm
- 50 – Side flanges port area, mm
- 105 – Operating pressure, MPa
- K1 – Corrosion resistance category