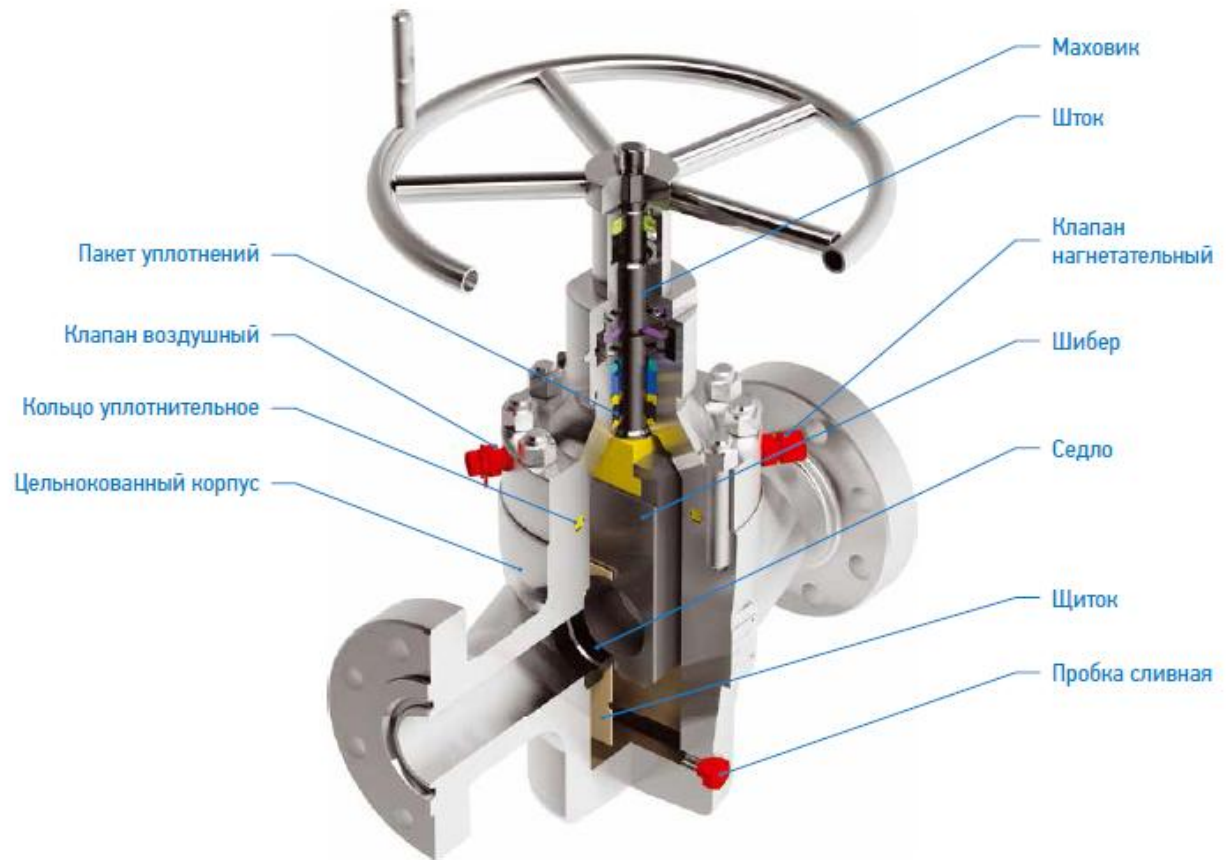
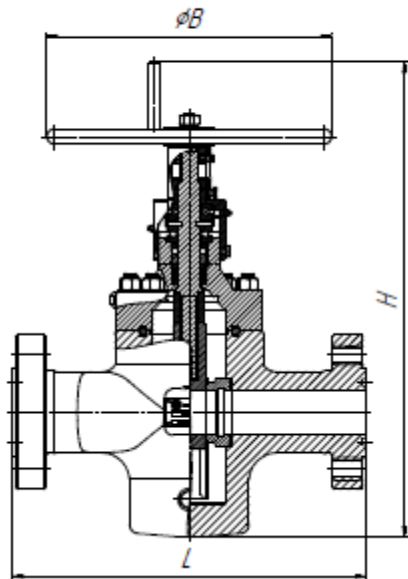


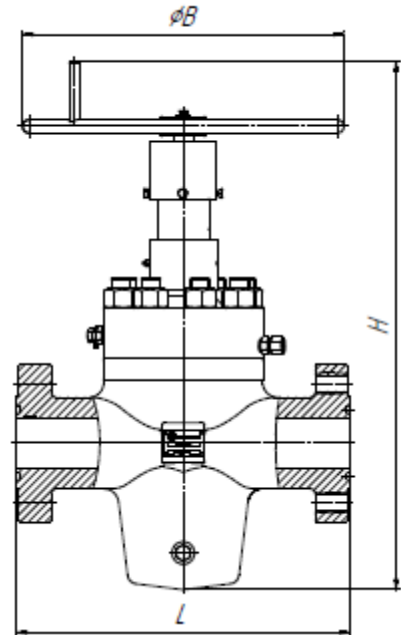
ZMS sliding shutters



1. Washers package
2. Air valve
3. Sealing ring
4. All-metal case
5. Handwheel
6. Rod
7. Delivery valve
8. Gate
9. Saddle
10. Flap
11. Relief fitting



With no reducer



With a reducer

Designation	Port area, mm (in)	Operating pressure, MPa (psi)	Overall dimensions		
			H	L	B
ZMS-50x35	50 (2 1/16)	35 (5000)	525	350	320
ZMS-50x70	50 (2 1/16)	70 (10000)	700	520	400
ZMS-50x105	50 (2 1/16)	105 (15000)	720	483	500
ZMS-65x21f	65 (2 9/16)	21 (3000)	535	350	320
ZMS-65x21	65 (2 9/16)	21 (3000)	535	422	320
ZMS-65x35f	65 (2 9/16)	35 (5000)	535	350	320
ZMS-65x35	65 (2 9/16)	35 (5000)	535	422	320
ZMS-65x70	65 (2 9/16)	70 (10000)	775	565	500
ZMS-65x105	65 (2 9/16)	105 (15000)	750	533	500
ZMS-80x14	80 (3 1/8)	14 (2000)	740	359	400
ZMS-80x21	80 (3 1/8)	21 (3000)	782	434	400
ZMS-80x35	80 (3 1/8)	35 (5000)	782	473	400
ZMS-80x70	80 (3 1/8)	70 (10000)	830	620	500
ZMS-80x105*	80 (3 1/8)	105 (15000)	900	598	500

ZMS-100x14	100 (4 1/16)	14 (2000)	810	435	500
ZMS-100x21	100 (4 1/16)	21 (3000)	810	510	500
ZMS-100x35	100 (4 1/16)	35 (5000)	930	549	500
ZMS-100x70*	100 (4 1/16)	70 (10000)	1060	670	645
ZMSR-100x105*	100 (4 1/16)	105 (15000)	1085	737	645

* These shutters may be complete with a one-stage reducer with the gear ratio of 4.

***Example of reference designation:**



- ЗМС – Steel oil-filled shutter
- Р – with a reducer
- 80 – Port area, mm
- 70 – Operating pressure, MPa
- К1 – Corrosion resistance category